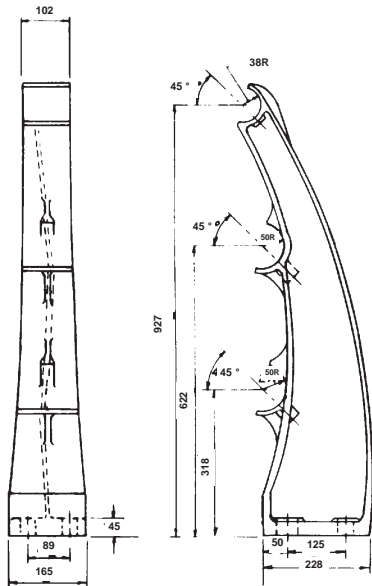


HIGHWAY RAILINGS

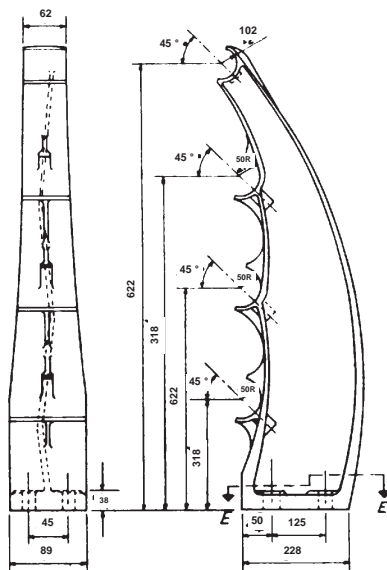
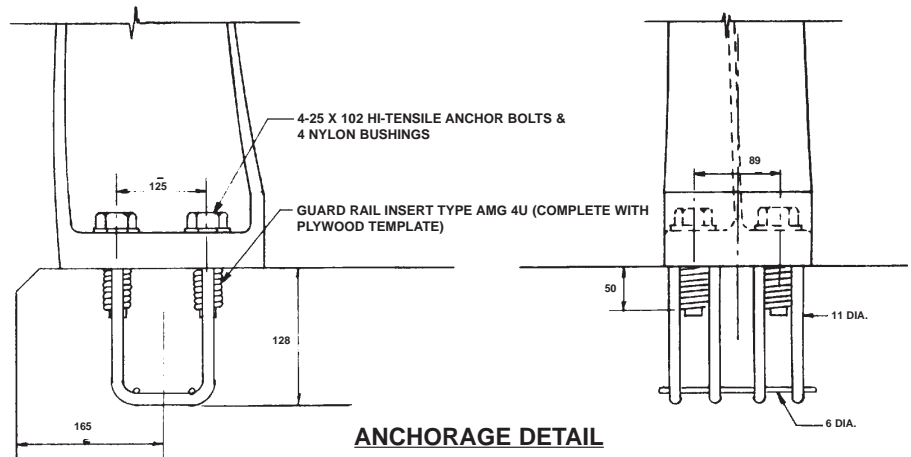
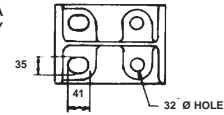
TYPE 300 & 400



Metals Inc.



POST IS PERMANENT - MOULD CAST FROM A 444.2 ALUMINUM ALLOY



POST IS PERMANENT - MOULD CAST FROM A 444.2 ALUMINUM ALLOY

