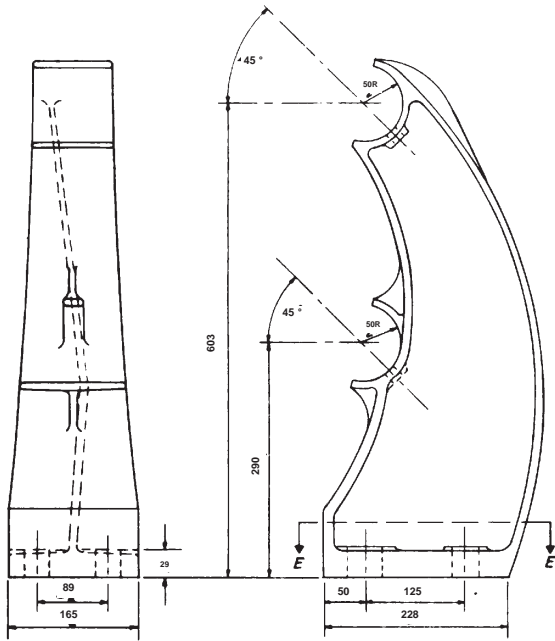


HIGHWAY RAILINGS

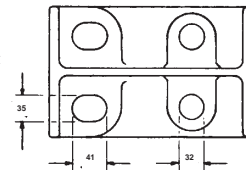
TYPE 200 & TYPE 210



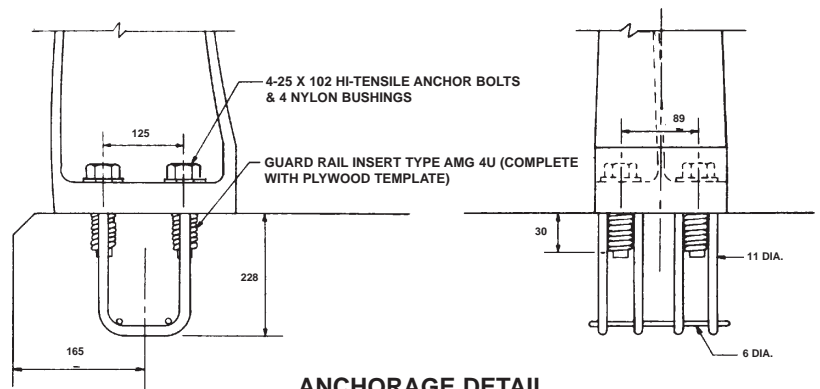
Metals Inc.



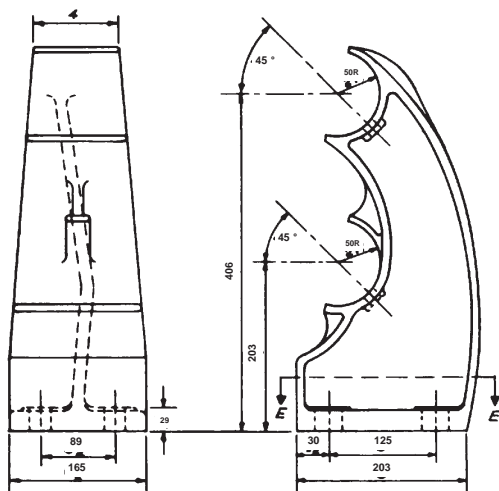
POST IS PERMANENT - MOULD CAST FROM A 444.2 ALUMINUM ALLOY



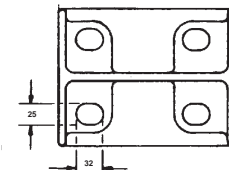
SECTION E-E



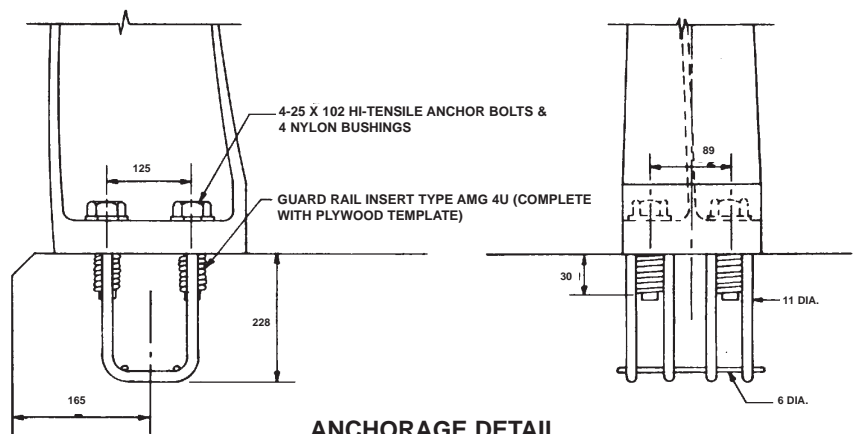
ANCHORAGE DETAIL



POST IS PERMANENT - MOULD CAST FROM A 444.2 ALUMINUM ALLOY



SECTION E-E



ANCHORAGE DETAIL