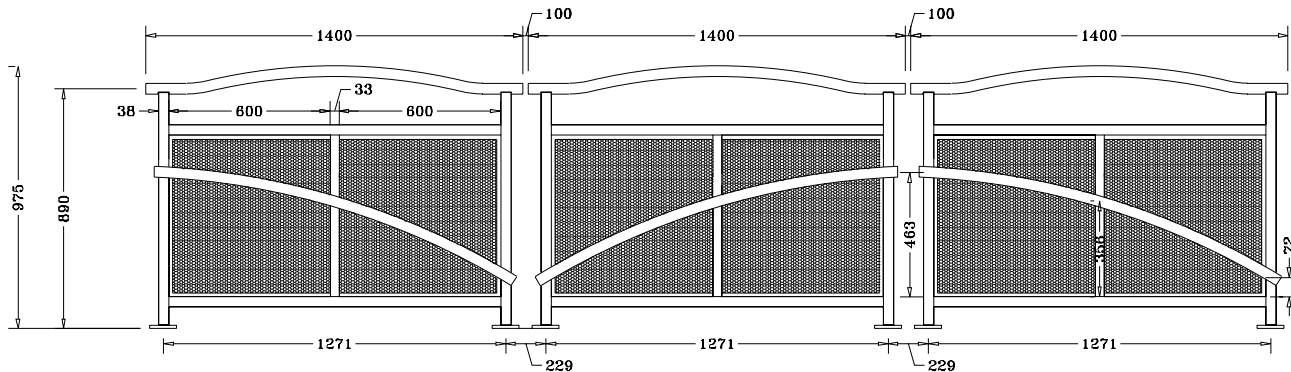
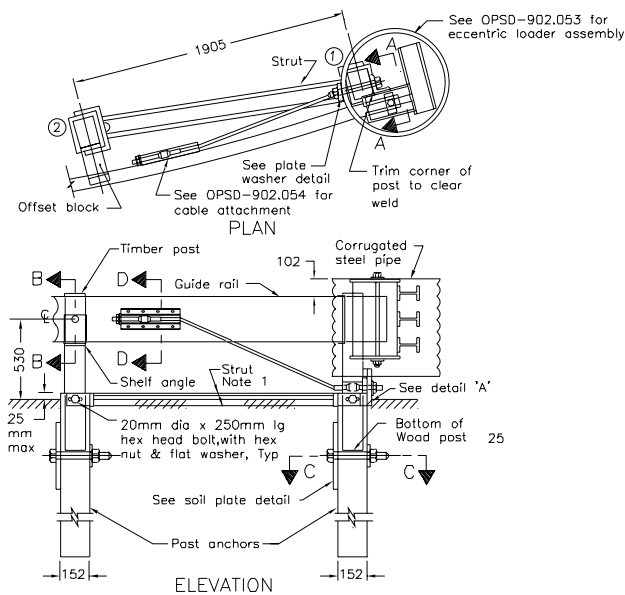


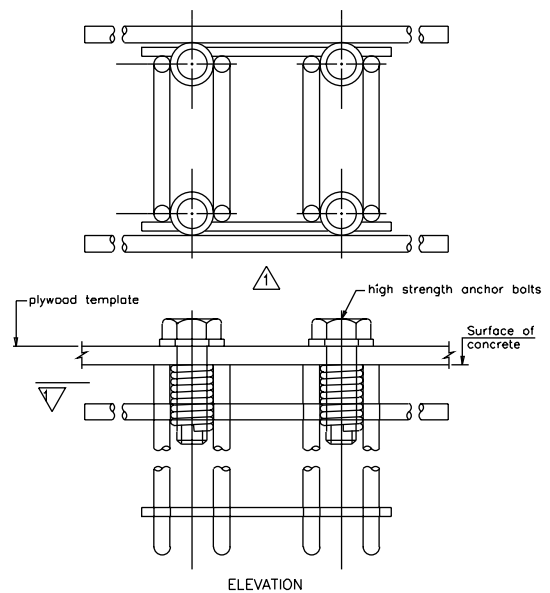
OTHER HIGHWAY PRODUCTS



PEDESTRIAN SPLASH GUARD



ECCENTRIC LOADER



ANCHOR INSERT

OTHER ITEMS AVAILABLE:

- Various preset Anchorage Systems
 - Guide Rail and Channel Anchorage as per OPSD 4010.00
 - Bridge Deck Drains
 - Box Beam Guide Rail
 - Guide Rail Structure Connections as per OPSD 902.07
 - Access Doors for concrete box girders as per OPSD 4625.00
 - Sign Structures – Breakaway – Overhead – Cantilever – Bridge Mount
 - Treatment Plants and Pumping Stations...
- (Access Hatches, Vents, Weir Plates, Railings, Ladders and Stairs etc.)