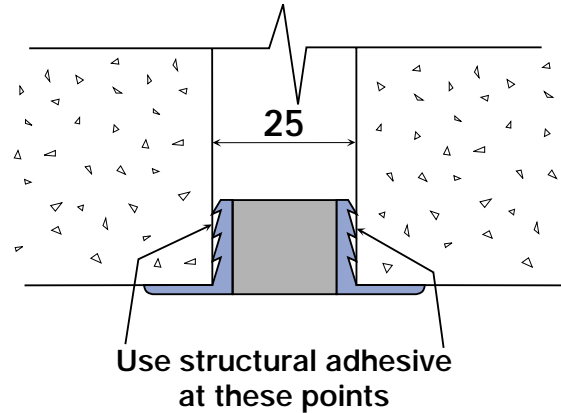


# 25mm WALL EXPANSION JOINT CLOSURE SYSTEM

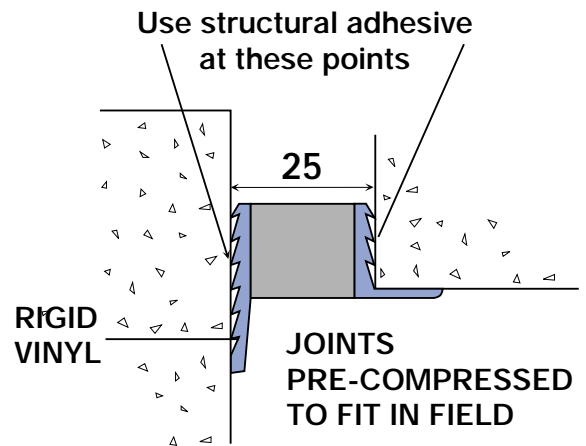
Features of Level-Flex wall expansion joint closures provide the user with the following features:

- The Closure Hermetically seals the opening.
- Flexible Member Remains Flat does not bulge or become appreciably concave with compression and extension respectively.
- Considerable Flexibility is provided by the aluminum design which allows the closure to follow irregularities in wall flatness and the point opening.
- Can Be Painted to match the wall or left in the aluminum clear anodized finish supplied.
- The Closure is Inconspicuous in that metal surfaces are kept to a minimum.
- The Closure Will Flex +/- 50% in all directions with minimum tension or compression loads minimizing the potential of wall cracking adjacent to the closure.
- Simple Installation coat sides of closure with adhesive and insert in opening. Closure is compressed when inserted which holds unit in place while adhesive cures.
- Low Tension is developed by extension due to 25% compression on insertion.
- No Fasteners or drilling required on installation.
- Aligns with floor closure.

## 25 WALL JOINTS



### NWW FLAT WALL



### NCW CORNER WALL